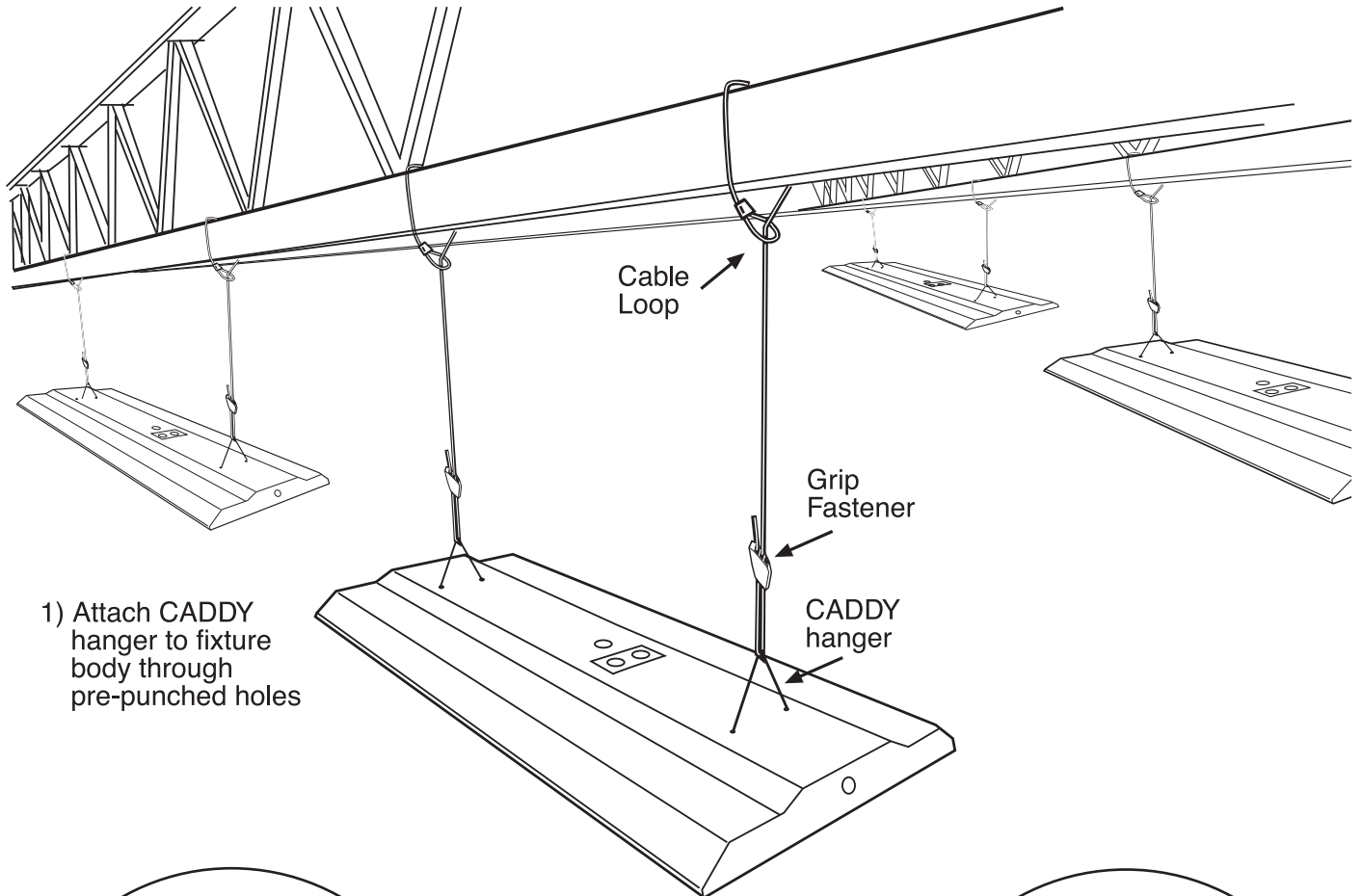
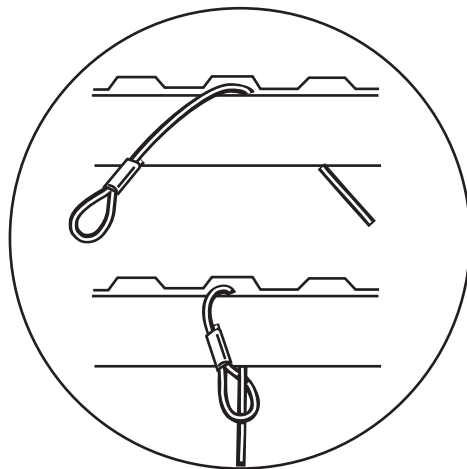


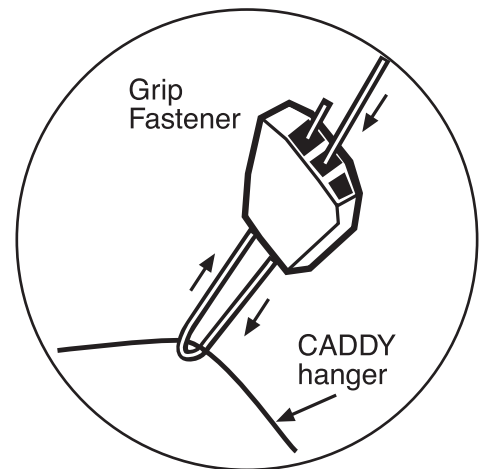
Recommended Hanging Method for TCP High Bay Fixtures



1) Attach CADDY hanger to fixture body through pre-punched holes



2) Loop Cable around strut, joist, eye-bolt or solid ceiling structure



3) Feed cable through grip fastener and adjust to desired mounting height