

Catalog Number	
Notes	Type

Application

The Elite's superior lumen package is ideal for replacing traditional metal halide high bay systems. Benefits include high efficiency, 95% lumen maintenance, improved color rendering, extended lamp life, multi-level switching, instant on, dimming and improved uniformity. Suggested mounting heights from 15' - 40' with primary applications including "Big Box" retail, warehousing, commercial facilities, manufacturing facilities, open and stack aisle applications.

Description

The full body assembly accommodates multiple optics utilizing either T5 or T8 lamps. The Elite's heavy duty 20 gauge housing exceeds code gauge steel and all components are post painted with a glossy, high reflectance white paint. Sockets include secure positioning rotating collars.

Reflector Optics

The superior beam spread optic covers from narrow aisle lighting to open area general lighting. The Elite is available using a 95% reflectance specular aluminum (SA) Miro®4 or a 92% reflectance white aluminum (WA) reflector, which have a 25 year warranty. The reflector options include uplight or non-uplight, depending on the application.

Electrical

All ballasts are class P rated and UL/CUL listed. Our ballasts are also thermally protected, sound rated and tightly secured by mounting bolts.

Finish

The baked white enamel finish is electrostatically applied and post painted with a glossy, highly reflective and durable white paint.

Elite Fluorescent High Bay T5 and T8 Series

Maintenance

No tools required for lamp and ballast access.

Installation

Suspension by chain, cable, hook or monopoint with appropriate accessories.

Warranty

One year warranty against defect in manufacturing.

Listing

UL/CUL Listed - Suitable for damp locations.

Catalog Ordering Matrix

Family	Reflector Distribution	Lamp Quantity	Lamp Type	Voltage	Ballast Factor	Specific Ballast	Options
EL4 - 4' Elite	SA - Narrow Distribution	3,4,5,6	28 - (T8 28W)	UNI - (120-277)	H - (T8 High)	Leave Blank - (TCP)	(See Below)
EL8 - 8' Elite	WA - Wide Distribution	*8,10,12	32 - (T8 32W)	347	N - (T8 Normal)	GE - (GE)	
	Add "U" for uplight		54 - (T5HO 54W)	480	L - (T8 Low)	ADV - (Advance)	
					V - (T5HO)	ULT - (Universal)	
					HPRS - (T8 H Program Rapid Start)	SYL - (Sylvania)	Must provide ballast part number on order for specific ballast

OPTIONS

Power Cords

- 2P - 120V, 15A, 8' Power cord w/ straight blade plug
- 3P - 120V, 15A, 8' Power cord w/ twist lock plug
- 4T - 120V, 20A, 10' Power cord w/ twist lock plug
- 11P - 208V, 15A, 8' Power cord w/ straight blade plug
- 9T - 208V, 20A, 8' Power cord w/ twist lock plug
- 8P - 277V, 20A, 8' Power cord w/ straight blade plug
- 10P - 277V, 20A, 15' Power cord w/ straight blade plug
- 10T - 277V, 15A, 10' Power cord w/ twist lock plug
- 10T2 - 277V, 20A, 10' Power cord w/ twist lock plug
- 6C - 120V-300V rated 6' Power cord only. No plug
- 10C - 120V-300V rated 10' Power cord only. No plug
- 10C6 - 120V-600V rated 10' Power cord only. No plug
- 20C - 120V-300V rated 20' Power cord only. No plug
- 6W - 600V rated 6' flexible metal conduit fixture whip
- 6C4 - 120V-300V 6' Power cord only, 4 wire. No plug
- 20C4 - 120V-300V 20' Power cord only, 4 wire. No plug
- 8T - 480V, 20A, 8' Power cord w/ L8-20 twist lock plug

Occupancy Sensors

- TS1 - TCP Occupancy sensor w/bracket and interchangeable lenses, 120V, 277V, or 347V
- TS1C - TCP Cold Storage Occupancy Sensor w/bracket and interchangeable lenses, 120V, 277V, and 347V
- TS4 - TCP Occupancy Sensor w/bracket and interchangeable lenses, 480V
- TS4C - TCP Cold Storage Occupancy Sensor w/bracket and interchangeable lenses, 480V
- OS6 - Occupancy sensor w/ bracket for 15'+ mounting hgt.
- OS9 - Occupancy sensor w/ bracket for 15' mounting hgt.

Use a program rapid start ballast with occupancy sensor. EcoVations is not responsible for lamps failing prematurely due to an occupancy sensor being used with an instant start ballast.

Wire Guard / Lens

- WG - Wire Guard
- WGL - Wire Guard & Lens
- EL - Acrylic Lens
- ELP - Polycarbonate Lens

Emergency Ballasts

- 20B1 - TCP 450 LMS 90 min (T8)
- 20B6 - TCP 700 LMS 90 min (T8)
- 20B5 - TCP 1400 LMS 90 min (T8)
- 20B3 - TCP 3000 LMS 90 min (T8 or T5)
- 20BL5 - TCP 800 LMS 90 min (T5)
- 20BL6 - TCP 1350 LMS 90 min (T5)
- B1 - 400 LMS 90 min (T8)
- B7 - 550 LMS 120 min (T8)
- B9 - 550 LMS 90 min (T8)
- B6 - 650 LMS 90 min (T8)
- B5 - 1350 LMS 90 min (T8)
- B3 - 3000 LMS 90 min (T8 or T5)
- BL5 - 700 LMS 90 min (T5)
- BL6 - 1250 LMS 90 min (T5)

Emergency Ballast Notes:

Orders with an emergency ballast must include a note on the order indicating the number of lamps to be operated, which lamp(s) will be operated by the emergency ballast (i.e. 3rd lamp), and what voltage is to be used (i.e. 120V). See Emergency Ballast Spec Sheets for details.

† If a desired lamp and/or ballast is needed in an EcoVations linear fluorescent fixture, please provide a spec sheet when consulting with your local sales rep. The sales rep will provide a price to use the desired lamp and/or ballast.

Lamps Installed in Job Pack

- 730 - T8 Lamps Only
- 735 - T8 Lamps Only
- 741 - T8 Lamps Only
- 830 - T5 and T8 Lamps
- 835 - T5 and T8 Lamps
- 841 - T5 and T8 Lamps
- 850 - T5 and T8 Lamps
- 865 - T5 and T8 Lamps
- 830HL - T8 Lamps Only
- 835HL - T8 Lamps Only
- 841HL - T8 Lamps Only
- 850HL - T8 Lamps Only
- 865HL - T8 Lamps Only

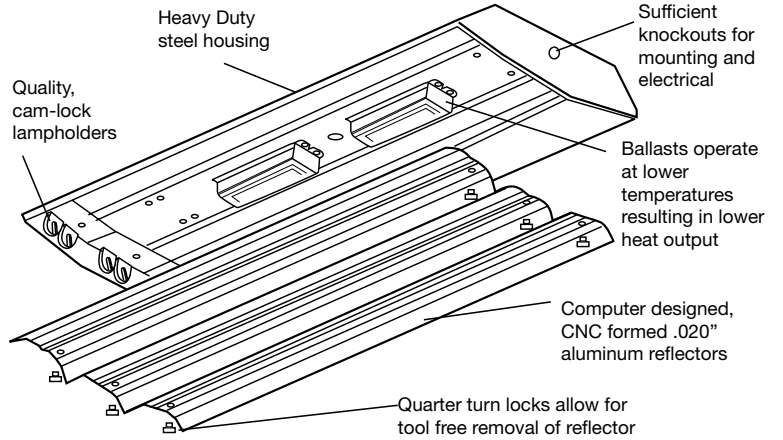
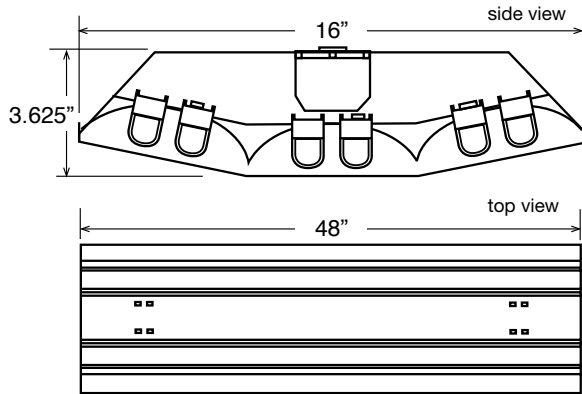
Special Mounting

- EZHANGER - 15" adjustable aircraft cable hanging kit
- HCB - Hub Connector Box - 3/4" Threaded Hub Mount
- 12Pendantkit - Mounting kit for 1/2" pendants
- 34Pendantkit - Mounting kit for 3/4" pendants
- LHKIT - Single Point Hook Mounting Kit complete

* 8, 10 and 12 lamp available in EL8 housing only.

FBO - EcoVations will install supplied modular wire cords

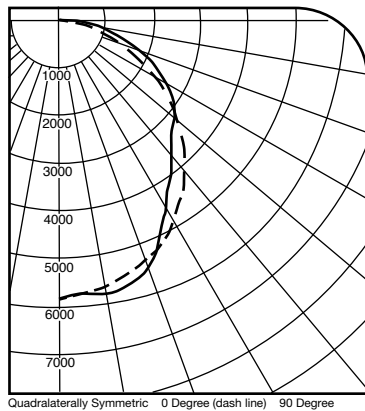
Dimensions & Construction



Photometric Report

2 x 4 Elite, 6-32 w , 95% Miro 4 Reflector, 3000 Lumens

Calculated using the zonal cavity method. Lamp configurations shown are typical. All data based on 25°C. Full photometric data on these and other configurations available upon request.



Photometric Report

Efficiency (total)	0.91
Spacing Criterion (0-Deg)	1.2
Spacing Criterion (90-Deg)	1.2

Average Luminance (Candelas / Square Meter)

Angle	0	22.5	45.0	67.5	90
0	11690	11690	11690	11690	11690
45	10302	10394	8894	8724	8832
55	9530	8858	8150	8991	9351
65	8264	7418	8332	8963	9231
75	6283	6598	7667	8571	8865
85	1535	4315	6182	7427	7947

Zonal Lumen Summary

Zone	Lumens	%	Lamp	%	Fixture
0-30	4528.3	25.2	27.2		
0-40	7262.7	40.3	44.3		
0-60	12455.7	69.2	76.0		
60-90	3805.2	21.1	23.2		
0-90	16260.9	90.3	99.3		
90-180	9.3	0.7	0.7		
0-180	16380.2	91.0	100.0		

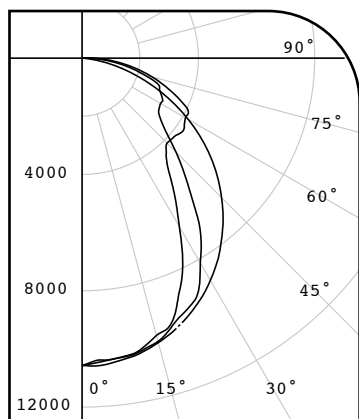
Coefficient of Utilization Table Effective Floor Cavity Reflectance = 20%

Pcc... Pw... RCR	80				70				50				30				10				0			
	70	50	30	10	70	50	30	10	50	30	10	30	30	10	10	50	30	10	0	0	0	0		
0	1.08	1.08	1.08	1.08	1.06	1.06	1.06	1.06	1.01	1.01	1.01	0.96	0.96	0.96	0.92	0.92	0.92	0.90	0.90	0.90	0.90			
1	0.98	0.94	0.89	0.86	0.96	0.91	0.88	0.84	0.87	0.84	0.81	0.84	0.81	0.79	0.80	0.78	0.76	0.74	0.74	0.74	0.74			
2	0.89	0.81	0.75	0.70	0.87	0.80	0.74	0.69	0.76	0.71	0.67	0.73	0.69	0.65	0.70	0.67	0.64	0.62	0.62	0.62	0.62			
3	0.81	0.71	0.64	0.58	0.79	0.70	0.63	0.57	0.67	0.61	0.56	0.64	0.59	0.55	0.62	0.58	0.54	0.52	0.52	0.52	0.52			
4	0.74	0.63	0.55	0.49	0.72	0.62	0.54	0.49	0.60	0.53	0.48	0.57	0.52	0.47	0.55	0.50	0.46	0.44	0.44	0.44	0.44			
5	0.68	0.57	0.48	0.42	0.66	0.56	0.48	0.42	0.53	0.47	0.41	0.52	0.46	0.41	0.50	0.45	0.40	0.38	0.38	0.38	0.38			
6	0.63	0.51	0.43	0.37	0.61	0.50	0.42	0.37	0.48	0.41	0.36	0.47	0.41	0.36	0.45	0.40	0.36	0.34	0.34	0.34	0.34			
7	0.59	0.46	0.38	0.33	0.57	0.46	0.38	0.32	0.44	0.37	0.32	0.43	0.36	0.32	0.41	0.36	0.32	0.30	0.30	0.30	0.30			
8	0.55	0.42	0.35	0.29	0.53	0.42	0.34	0.29	0.0	0.34	0.29	0.39	0.33	0.29	0.38	0.33	0.28	0.27	0.27	0.27	0.27			
9	0.51	0.39	0.31	0.26	0.50	0.38	0.31	0.26	0.37	0.31	0.26	0.36	0.30	0.26	0.35	0.30	0.26	0.24	0.24	0.24	0.24			
10	0.48	0.36	0.29	0.24	0.47	0.35	0.28	0.24	0.34	0.28	0.24	0.34	0.28	0.24	0.33	0.27	0.23	0.22	0.22	0.22	0.22			

Photometric Report

2 x 4 Elite, 6-54 w , 95% Miro 4 Reflector, 5000 Lumens

Calculated using the zonal cavity method. Lamp configurations shown are typical. All data based on 25°C. Full photometric data on these and other configurations available upon request.



Photometric Report

Efficiency (total)	0.97
Spacing Criterion (0-Deg)	1.2
Spacing Criterion (90-Deg)	1.0

Average Luminance (Candelas / Square Meter)

Angle	0	22.5	45.0	67.5	90
0	6785	6485	4556	4063	4133
45	5135	4179	3213	3985	4274
55	3280	2144	3012	3780	3936
65	1509	1488	2208	2451	2490
75	155	571	832	987	1044

Zonal Lumen Summary

Zone	Lumens	% Lamp	% Fixture
0-30	7928	29.7	30.6
0-40	12257	45.9	47.2
0-60	19845	74.3	76.5
0-90	25891	97.0	99.8
90-120	58	0.2	0.2
90-130	58	0.2	0.2
90-150	58	0.2	0.2
90-180	58	0.2	0.2
0-180	25949	97.2	100.0

Coefficient of Utilization Table Effective Floor Cavity Reflectance = 20%

Pcc... Pw... RCR	80				70				50				30				10				0			
	70	50	30	10	70	50	30	10	50	30	10	30	30	10	10	50	30	10	0	0	0	0		
0	1.16	1.16	1.16	1.16	1.13	1.13	1.13	1.13	1.08	1.08	1.08	1.03	1.03	1.03	0.99	0.99	0.99	0.97	0.97	0.97	0.97			
1	1.05	1.00	0.96	0.92	1.02	0.98	0.94	0.90	0.94	0.91	0.83	0.90	0.87	0.85	0.86	0.84	0.82	0.80	0.80	0.80	0.80			
2	0.96	0.87	0.81	0.75	0.93	0.86	0.79	0.75	0.82	0.77	0.72	0.79	0.74	0.70	0.76	0.72	0.69	0.67	0.67	0.67	0.67			
3	0.87	0.77	0.69	0.63	0.85	0.75	0.68	0.62	0.72	0.66	0.61	0.70	0.64	0.60	0.67	0.63	0.59	0.56	0.56	0.56	0.56			
4	0.80	0.68	0.60	0.53	0.78	0.67	0.59	0.53	0.66	0.58	0.52	0.62	0.56	0.51	0.60	0.55	0.51	0.49	0.49	0.49	0.49			
5	0.74	0.61	0.53	0.46	0.72	0.60	0.52	0.46	0.58	0.51	0.45	0.56	0.50	0.45	0.54	0.49	0.44	0.42	0.42	0.42	0.42			
6	0.68	0.56	0.47	0.41	0.67	0.55	0.46	0.41	0.53	0.46	0.40	0.51	0.45	0.40	0.50	0.44	0.39	0.37	0.37	0.37	0.37			
7	0.64	0.51	0.42	0.36	0.62	0.50	0.42	0.36	0.48	0.41	0.36	0.47	0.50	0.36	0.46	0.40	0.35	0.33	0.33	0.33	0.33			
8	0.59	0.46	0.38	0.33	0.58	0.46	0.38	0.32	0.44	0.37	0.32	0.43	0.37	0.32	0.42	0.36	0.32	0.30	0.30	0.30	0.30			
9	0.56	0.43	0.35	0.30	0.54	0.42	0.35	0.29	0.41	0.34	0.29	0.40	0.34	0.29	0.39	0.33	0.29	0.27	0.27	0.27	0.27			
10	0.52	0.40	0.32	0.27	0.51	0.39	0.32	0.27	0.38	0.31	0.27	0.37	0.31	0.27	0.36	0.31	0.27	0.25	0.25	0.25	0.25			

Photometric Data by Independent Testing Lab. ITL Boulder.